

## 90 DAY LIMITED WARRANTY

This Solar Motion-Activated Light is warranted against faulty material and/or workmanship for a period of 90 days from date of original purchase. The obligation of the manufacturer, under this warranty, is limited to servicing and replacing defective parts when the unit is returned to MAXSA Innovations, freight pre-paid during the warranty period. To obtain warranty repair, the purchase receipt should be returned with the product. This warranty becomes void on any unit which has been tampered with, damaged by accident, or damaged otherwise by improper operation. This guarantee is in addition to any guarantees implied by State or Federal Legislation.

Please save these instructions for future reference.

MADE IN CHINA

**MAXSA**®

**MAXSA Innovations**  
8412 Cathedral Forest Drive  
Fairfax Station, VA 22039  
Tel: 703-495-0661  
[www.maxsainnovations.com](http://www.maxsainnovations.com)

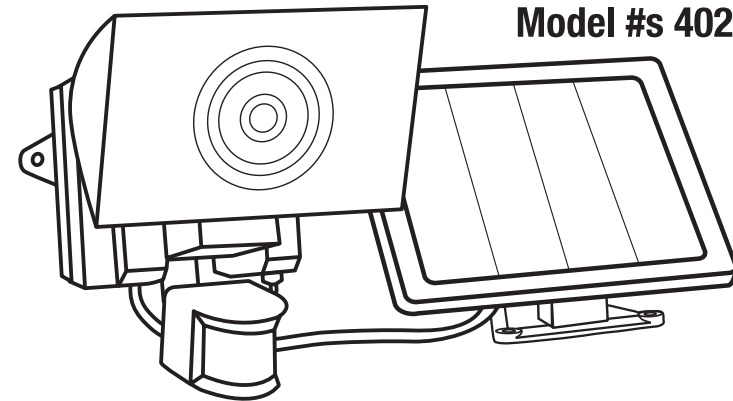
v9-1

©2009 MAXSA Innovations, LLC

# **SOLAR** *MOTION-ACTIVATED* **SECURITY LIGHT**

## **ASSEMBLY & OPERATING INSTRUCTIONS** **Solar Motion-Activated Security Light - 80 LED Lights**

**Model #s 40225, 40226**



**IMPORTANT: READ ALL INSTRUCTIONS CAREFULLY BEFORE USE**

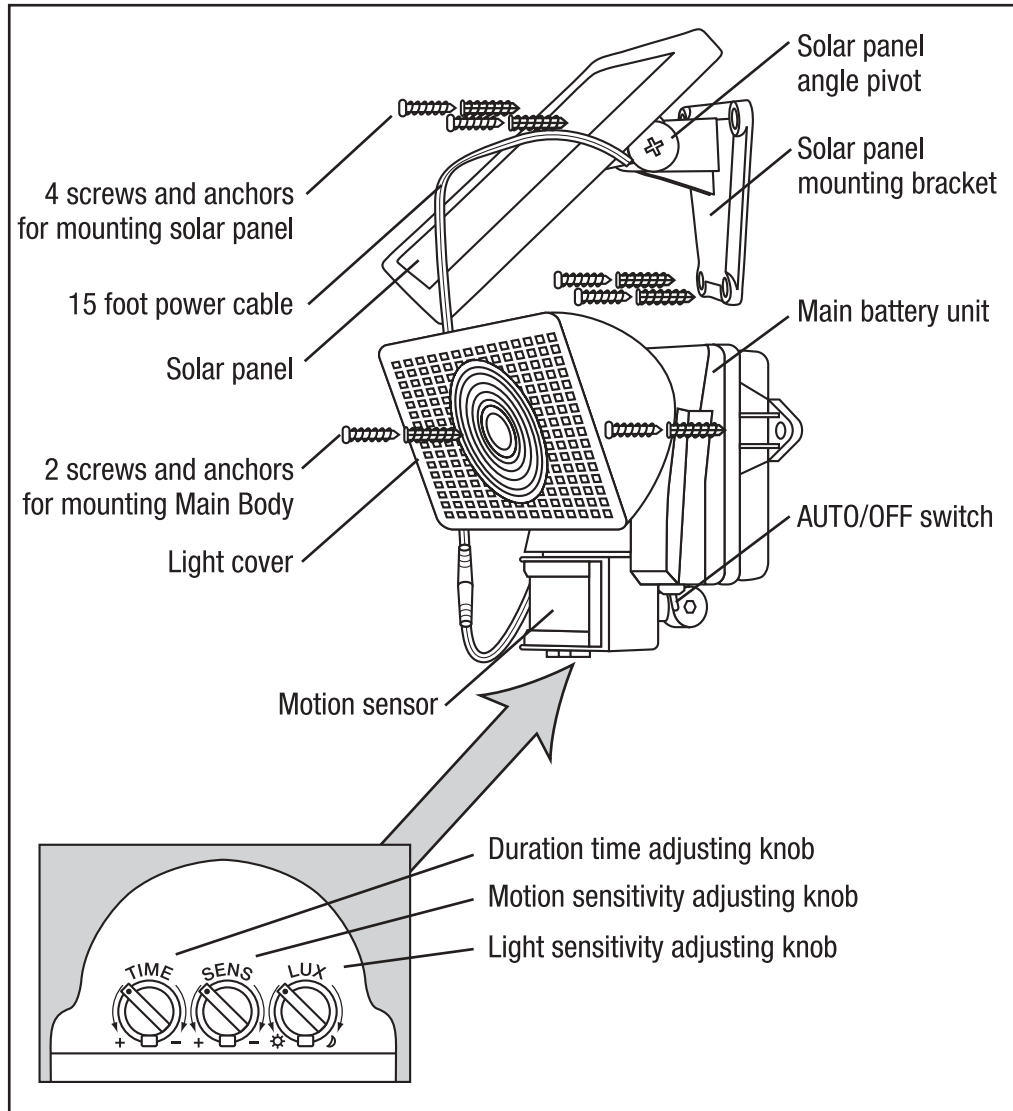
### **ABOUT YOUR SOLAR SECURITY LIGHT**

During the day, the solar cell charge panel included with this MAXSA Solar Security Light converts sunlight into electricity recharging the pre-installed battery. Using this stored energy, the 80 LED lights turn on automatically at night when motion is detected. This MAXSA Solar Security Light has an adjustable TIME dial that allows light duration of up to 60 seconds. When the battery is fully charged, this Solar Security Light can light up for up to 2 hours, which is equivalent to 125 times when the TIME dial is set to the maximum (+) position.

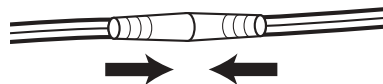
The battery included in this unit is a sealed lead-acid 6V, 4Ah rechargeable battery and will need to be replaced when the charging ability is decreased. This battery should last for approximately 3 years before it will need to be replaced.

Carefully remove and identify all the parts from their protective packaging and lay them out in front of you.

**Included Parts:**



Once you have identified all parts, connect the solar charge panel to your Solar Security Light by plugging the 15 foot cord into the cord attached to the front of the Solar Security Light. Firmly turn and twist the cords while pressing together for a tight connection.



**TROUBLESHOOTING**

Problem	Possible Solutions
Light will not switch on when there is movement in the detection area.	<ul style="list-style-type: none"> <li>● Ensure that the power switch on the main body has been turned to the AUTO position.</li> <li>● Ensure that the motion sensor has been positioned to face oncoming movement.</li> <li>● Ensure that the battery has been fully charged in direct sunlight for 3 sunny days - Refer to the "Before First Use of Your Solar Security Light" section on page 2.</li> <li>● Check to see that the solar cell charge panel is facing south so that it receives direct sunlight for most of the day, enabling the battery to fully charge.</li> <li>● Check to see that the LUX control has not been set too far towards (☾). Setting the LUX control too far towards (☾) will cause your Solar Security Light to turn on only in complete darkness.</li> <li>● Check to see that the solar panel is not near night time light sources such as street lights.</li> </ul>
Light switches on during the day.	<ul style="list-style-type: none"> <li>● The LUX control may be set too far towards the (⊛) position.</li> <li>● Reposition the motion sensor.</li> </ul>
Light switches on for no apparent reason.	<ul style="list-style-type: none"> <li>● The SENS control may be set too far towards the (+) position.</li> <li>● Moving trees, traffic, pets or birds may be getting in the area of detection. This may be unavoidable, however the sensor could be redirected to a height where this is less likely to occur.</li> <li>● If there are reflective objects in the detection area such as windows, water, or white walls, you may need to redirect or possibly reposition the motion sensor.</li> <li>● Test the motion sensor by covering it completely with cardboard and waiting several minutes to make sure it does not detect motion. If the light still switches on, please contact MAXSA for further assistance.</li> </ul>
Light quickly flashes on and off.	<ul style="list-style-type: none"> <li>● Battery charge may be low. Turn the power switch to the OFF position and charge the battery for three (3) sunny days, ensuring the solar cell charge panel has been placed in direct sunlight.</li> <li>● Move the LUX control more to the (⊛) position.</li> </ul>
Light is not as bright as normal.	<ul style="list-style-type: none"> <li>● Battery charge may be low. Turn the power switch to the OFF position and charge the battery for three (3) sunny days, ensuring the solar cell charge panel has been placed in direct sunlight.</li> </ul>

**NOTE:** Do not dispose of battery in general household trash or into a fire since the battery may explode. Consult your local regulations for correct disposal of batteries. The battery may also be returned to MAXSA Innovations at 8412 Cathedral Forest Dr., Fairfax Station, VA 22039. Do not take apart the battery since it contains corrosive chemicals.

### MAINTENANCE TIPS

The LED lights in your Solar Security Light will last up to 30,000 hours and should never need replacement.

To keep your Solar Security Light looking new, keep the lens free of dust and deposits by wiping occasionally with a dry cloth or with warm soapy water if necessary.

Importantly, ensure that the solar cell charge panel is kept free of dirt and debris at all times. A dirty solar panel will not allow the battery to fully charge and this will shorten the life of the battery and may cause the light to malfunction.

### STORAGE

If you wish to store your light indoors for more than two or three days, turn the power switch to the OFF position to prevent damaging the battery. Battery capacity may be reduced during prolonged storage. For optimal performance, we recommend that you do not store your Solar Security Light for prolonged periods of time.

### CHOOSING A LOCATION FOR YOUR SOLAR SECURITY LIGHT

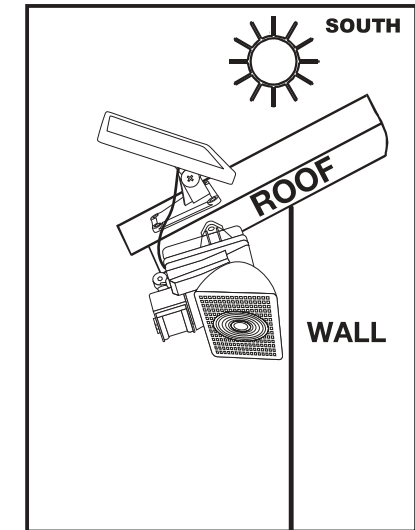
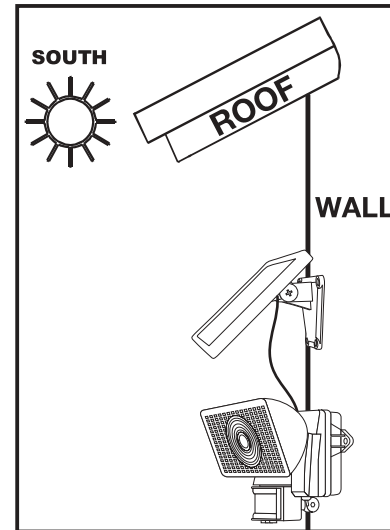
This Solar Security Light comes complete with a solar cell charge panel attached to a 15 foot power cord. For optimum sun exposure and longer light output, place the solar panel, when attached to the Security Light, in a position that receives at least 6-8 hours of direct sunlight per day. Ideally, it should face south. Placing the solar cell charge panel in a shaded location will not allow the battery to charge fully. This will reduce the number of hours the Solar Security Light will operate per evening. In choosing a location for your Solar Security Light, ensure that the solar cell charge panel is not placed near night time light sources such as porch lighting or street lighting.

This Solar Security Light is ideal for areas where electricity is not available, including driveways, carports, garages and entrance doors, for safety and security around your home. In addition to the safety and security benefits of this Solar Security Light, it can also be used for convenience lighting and is ideal for use on backyard sheds, farm sheds, RV's and other remote areas where electricity is not available.

When deciding where to mount the light, keep in mind that the motion sensor that activates this light has a field of vision of 180° (horizontal) at a distance of 40 feet when the surrounding temperature is 75° F.

### HOW TO INSTALL YOUR SOLAR SECURITY LIGHT

1. Mount the Security Light onto a solid surface, using the two (2) wood/sheet metal screws supplied. You may mount the Security Light vertical or more horizontal.



2. Use the four (4) wood/sheet metal screws supplied to mount the solar cell charge panel onto a solid surface. You can adjust the angle of the solar cell by gently rotating the solar cell to a different locking position. Remember to face the panel south for direct sunlight exposure.

## BEFORE FIRST TIME USE OF YOUR SOLAR SECURITY LIGHT

1. Ensure the power switch on the main body of your Security Light is in the OFF position. In this position, the solar cell will charge the battery without activating the unit.
2. Leave the switch in this position for up to 3 days and make sure the solar cell charge panel is placed in direct sunlight. This will ensure that the battery in your Solar Security Light has a full charge prior to motion sensor adjustment and normal operation.

## OPERATING YOUR SOLAR SECURITY LIGHT

After the initial 3 day charge of your Solar Security Light, move the switch on the main body to the AUTO position. Your Solar Security Light is now ready for use.

Underneath the motion sensor, there are 3 adjustment dials: TIME/SENS/LUX. All 3 of these adjustment dials have been preset to the following conditions:

TIME - Set at 30 seconds

SENS - Set at 20 feet (When the surrounding temperature is 75° F).

LUX - Set for your Security Light to activate at dusk when motion is detected.

If the above settings are not suitable for your application, then these may be adjusted using the steps below.

### • Time Period Adjustment (TIME)

The time period control sets the duration that the Solar Security Light will be illuminated, when activated. The time period is adjustable over a range of 10 seconds to 1 minute. The shortest time period is with the TIME control set fully clockwise(-).

To adjust the time period, set the TIME control at a random position, trigger the sensor unit and measure the time period the light illuminates. Increase or decrease the time period by adjusting the TIME dial and re-trigger the sensor unit. Continue with this process until the desired time period is obtained.

### • Motion Sensor Adjustment (SENS)

The sensitivity of the motion sensor on this Solar Security Light will be affected by temperature. The cooler the temperature the more sensitive the motion sensor will become. Use the SENS dial to adjust the sensitivity of the motion sensor to compensate for environmental temperature changes. The motion sensor is most sensitive when the SENS dial is turned fully counter-clockwise (+).

### • Light Level Adjustment (LUX)

The LUX dial controls the natural light level that initiates operation and prevents the security light from operating during daylight hours.

Your solar security light comes preset and will be activated when motion is detected at dusk. To adjust the light level control, turn the LUX control fully clockwise (D). Wait until the natural light falls to the required level that you wish to activate your solar security light. Rotate the LUX control slowly counter-clockwise until the Solar Security Light illuminates.

## IF YOU WANT TO TEST THE COVERAGE

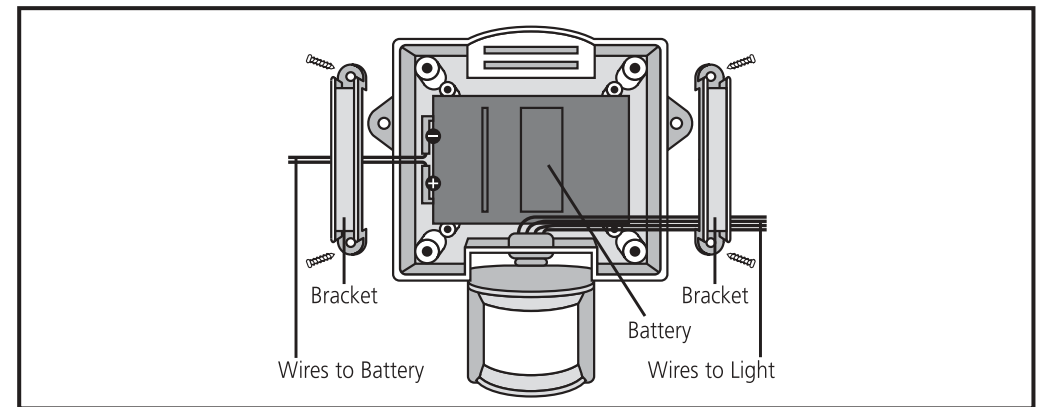
Point the motion sensor in the direction you want to detect motion and set the TIME dial to minimum (-) position and the LUX dial to "light" (☆) position.

Test the coverage of the area by walking slowly around the area of detection and adjust sensitivity if needed. If the Solar Security Light does not come on, you may need to adjust the angle of the sensor unit. Readjust the TIME and LUX dials when finished.

## REPLACING THE LEAD ACID RECHARGEABLE BATTERY

When the charging ability of the battery decreases, you can replace the battery with a new 6V, 4Ah lead acid battery. Follow the steps below when replacing the battery.

1. First remove the main unit from its mounted surface.
2. Move the power switch on the main body to the OFF position.
3. Remove the four (4) screws on the back of the main unit that hold the halves together.



4. Once the unit is open, carefully remove the two (2) brackets holding the battery in place by unscrewing the four (4) screws as indicated in the diagram above.
5. Carefully unplug the positive and negative cords.
6. Carefully remove the battery from its compartment and replace with a new 6V, 4Ah rechargeable lead acid battery. Ensure that the red cord is re-attached to the red-colored battery terminal. (WARNING: Connecting these in the opposite direction could damage the unit.)
7. Replace the two (2) brackets to hold the battery in place by using the four (4) screws removed in step 4, taking care not to damage any cables.
8. Re-assemble the main unit by screwing the two (2) halves of the main body together, using the four (4) screws removed in step 3, ensuring the two halves click together securely.
9. Once assembled, mount your Solar Security Light to its original surface location.
10. Repeat the steps in the "Before first time use of your Solar Security Light" section on page 4 to ensure your new battery is fully charged.